

Creanza®
Encast

Creanza® Encast SEFAR is a multifaceted laminated glass with a high quality metal coated fabric interlayer available in countless decorative finishes.

Creates unique depth within glass and enhances thermal performance.

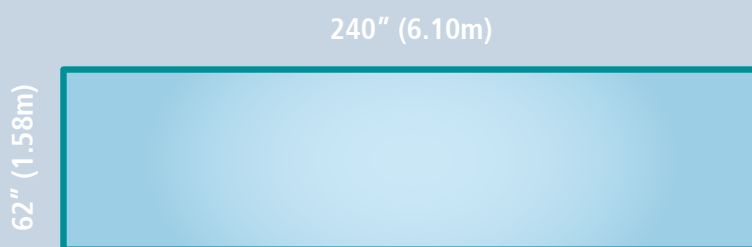
Allows for an exterior reflective design option while enabling vision from the interior side.

The perfect combination of Design & Functionality.

Manufacturing Capabilities

- All glass colors
- 1/4" to 3/4"
- Flat
- Curved
- Low E
- Holes, notches & cut-outs
- Edge Finishes
- Tempered
- IGU

Size Limitations



Laminated Glass Notes:

Glass Thickness:
Min: 1/4" + 1/4"
Max: 4"

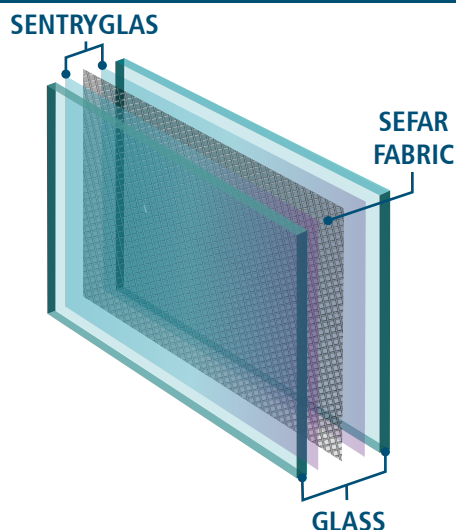
Colors:

-  Aluminum (AL)
-  Gold (GDST)
-  Copper (CPST)
-  Special Colors & Patterns

Opacities:

140/25
140/50
260/30
260/55

Composition



IGUs Notes:

Glass Thickness:
Min: 1/4" + 1/4"

Triple IGUs Available